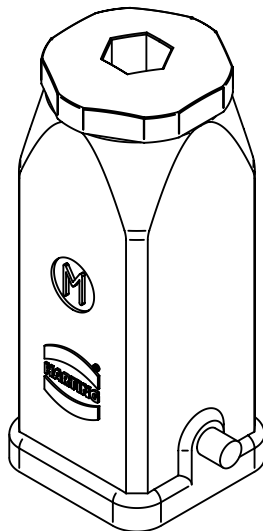
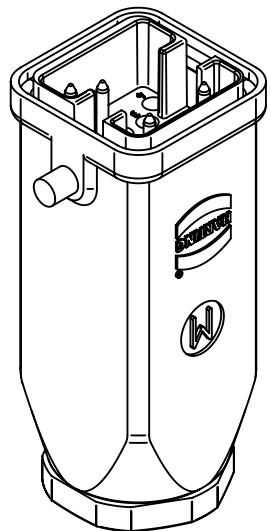
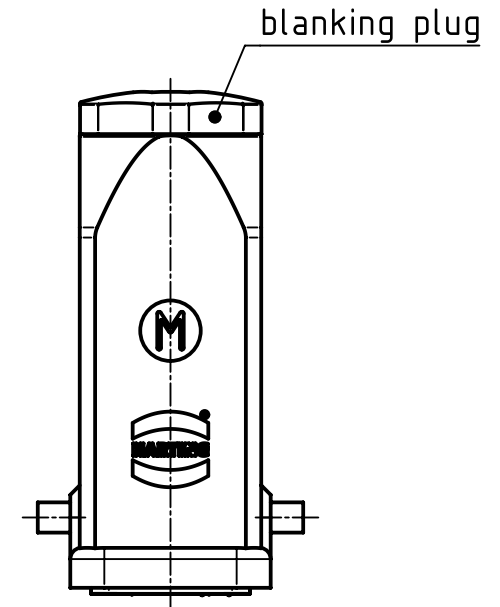
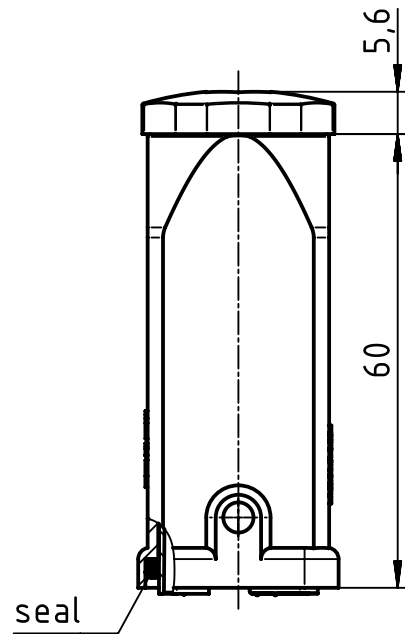
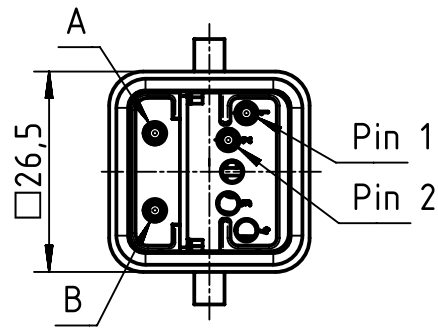


ambient temperature: -40 to 70° celsius



	All rights reserved Department EL PD - DE	All Dimensions in mm Original Size DIN A4			Scale 1:1	Free size tol.	Ref. Sub. TB 09 12 006 2691 v. 03.02.2012		
		HARTING Electric GmbH & Co. KG D-32339 Espelkamp	Created by WULF	Inspected by STICKFORTH	Standardisation SCHMIDTM	Date 2015-06-01	State Final Release	Doc-Key / ECM-Nr. 100178602/UGD/004/B 500000089645	
		Title Han Brid-Male-C				Type TB	Number 09 12 006 2691	Rev. B	Page 1/1