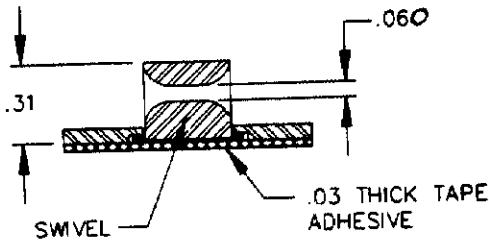
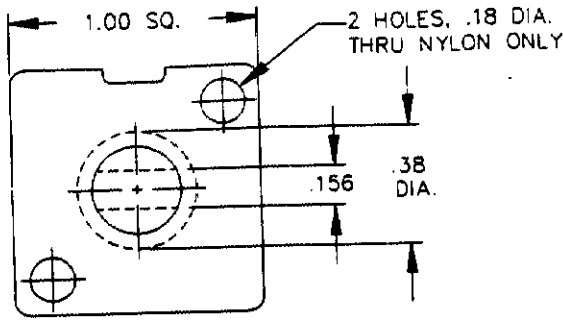


THIS INFORMATION IS CONFIDENTIAL AND IS DISCLOSED TO YOU ON CONDITION THAT NO FURTHER DISCLOSURE IS MADE BY YOU TO OTHER THAN AMP PERSONNEL WITHOUT WRITTEN AUTHORIZATION FROM AMP INCORPORATED, HARRISBURG, PA.



- NOTES:
1. ACCEPTS CABLE TIES WITH TENSILE VALUE UP TO 30 LBS. MAXIMUM.
 2. PACKAGED 100 PCS. PER POLY BAG. SEALED AND WITH LABEL OR PRINTED MARKING OF AMP NAME AND PART NUMBER.
 3. * INACTIVE.

CUSTOMER DRAWING UNPUBLISHED

607847-2*	WITHOUT ADHESIVE	
607847-1	AS SHOWN WITH ADHESIVE	

LOC D	PART No.		DESCRIPTION		ITEM
DIST 1	REVISION OF EACH ASSY NO. (WHEN BLANK, USE DWG REVISION)				
QTY. REQ'D. PER ASSY.		PARTS LIST			
		MATERIAL NYLON	HEAT TREAT <i>nr</i>	FINISH <i>nr</i>	
		DIMEN: IN'S ARE IN INCHES	DRAWN BY: M.J. ZGLESZEWSKI	DATE: 8/20/90	APPROVED BY:
		TOLERANCES UNLESS OTHERWISE SPECIFIED: 2 PL DEC ± .02 3 PL DEC ± .01 4 PL DEC ±	CHECK BY:	RELEASE: <i>J. Hamed 8/90</i>	
		ANGLES ±	AMP AMP INCORPORATED Harrisburg, Pa.		
		SURF TEXTURE: <input checked="" type="checkbox"/>			
		REMOVE BURRS, BREAK SHARP EDGES. .015 R. MAX.	NAME: CABLE TIE MOUNT SWIVEL BASE		
<input checked="" type="checkbox"/> C	ECN 081590	FH 8-90	SCALE: A	DRAWING No. 607847	SHEET: 1:1
P F LTR	REVISION RECORD	APP DATE			REV: C